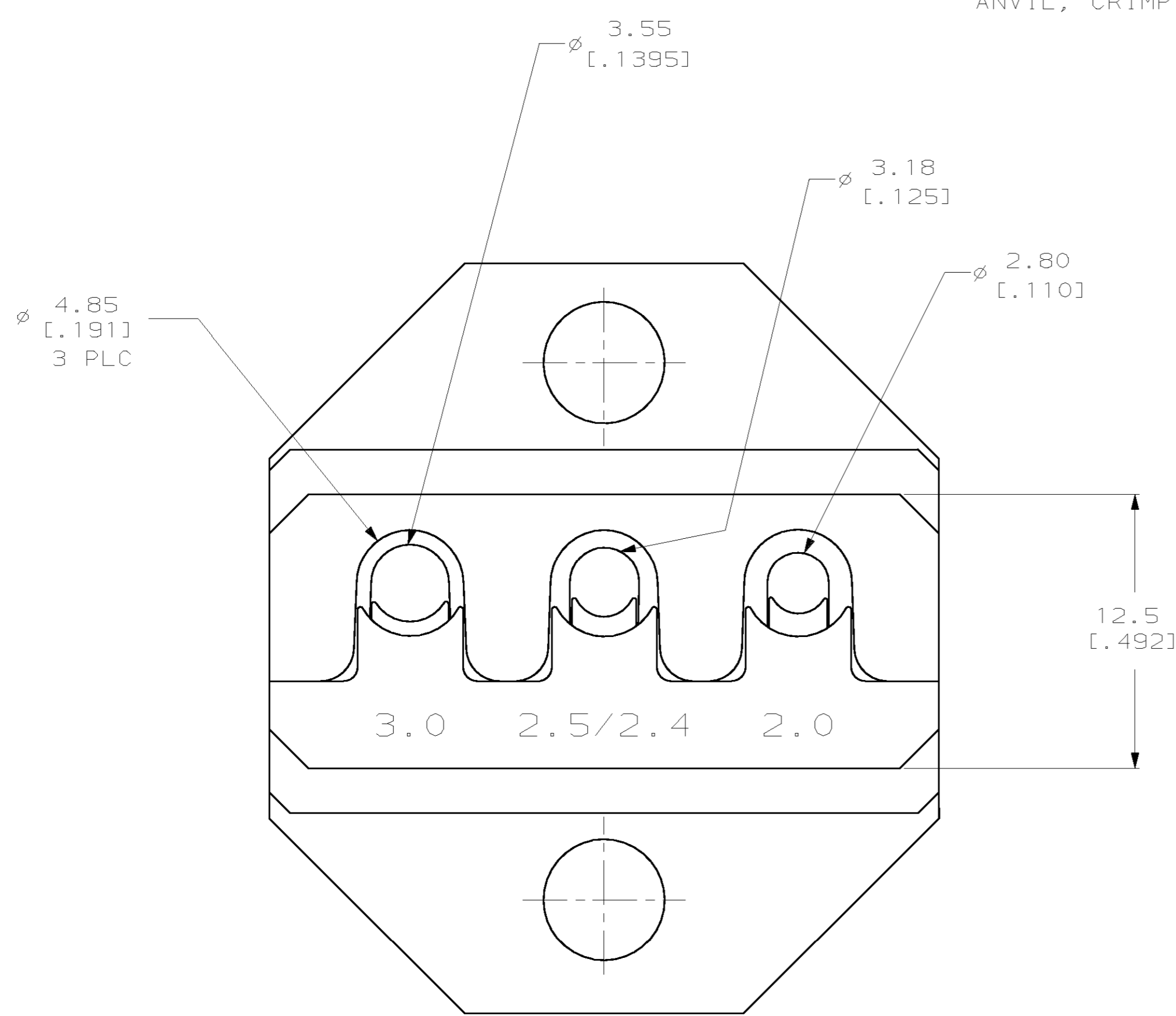
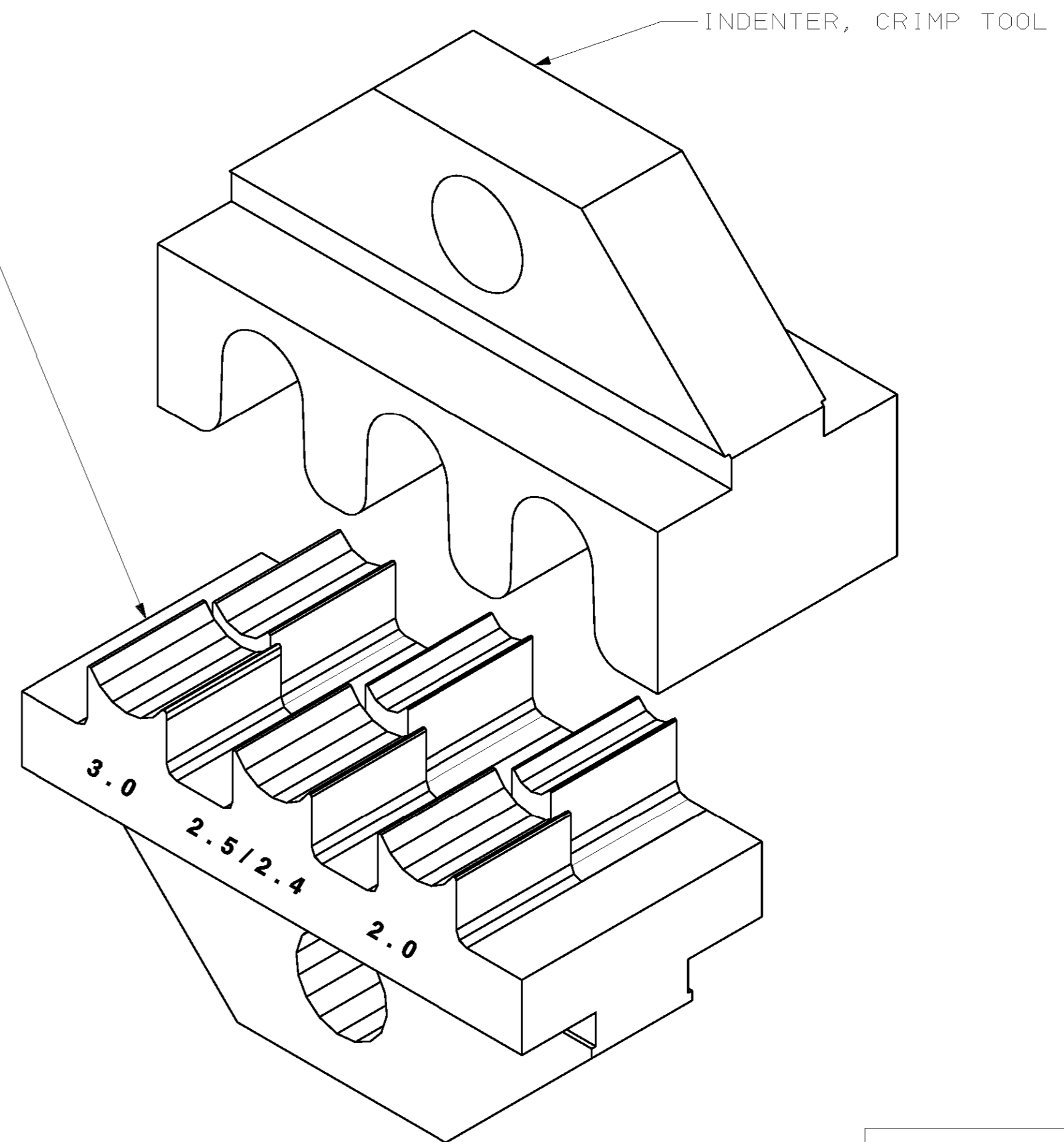


THIS DRAWING IS UNPUBLISHED. RELEASED FOR PUBLICATION .19
 © COPYRIGHT 19 BY AMP INCORPORATED. ALL RIGHTS RESERVED.

LOC	DIST	REVISIONS			
P	LTR	DESCRIPTION	DATE	DWN	APVD
CE	16	B	REV PER 0A00-0364-00	5-24-00	DDE SM



ANVIL, CRIMP TOOL



INDENTER, CRIMP TOOL

492025-1
PART NUMBER

<small>THIS DRAWING IS A CONTROLLED DOCUMENT FOR AMP INCORPORATED. IT IS SUBJECT TO CHANGE AND THE CONTROLLING ENGINEERING ORGANIZATION SHOULD BE CONTACTED FOR THE LATEST REVISION.</small>		DWN 5-22-96 B.BRIGGS CHK 5-22-96 B.PARKER APVD 5-22-96 D.STAKEM	AMP AMP Incorporated Harrisburg, PA 17105-3608
DIMENSIONS: mm [INCHES]	TOLERANCES UNLESS OTHERWISE SPECIFIED: 0 PLC ± 1 PLC ± 2 PLC ±0.13 [0.005] 3 PLC ± 4 PLC ± ANGLES ± FINISH -	NAME DIESET, PROCRIMPER, AMP SC/FC, DUAL CRIMP, 3.0mm, 2.5/2.4mm, 2.0mm APPLICATION SPEC SIZE CAGE CODE DRAWING NO A2 00779 C-492025	SCALE 10:1 SHEET 1 OF 1 REV B
MATERIAL		WEIGHT	CUSTOMER DRAWING

492025